



# Split Core Current Transducer ECS16-TT Series

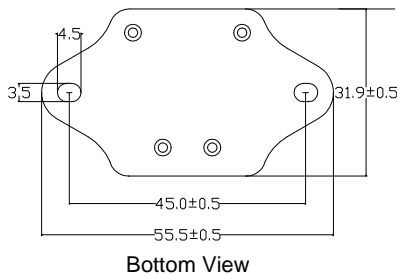
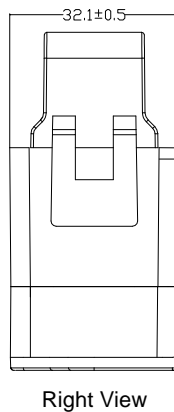
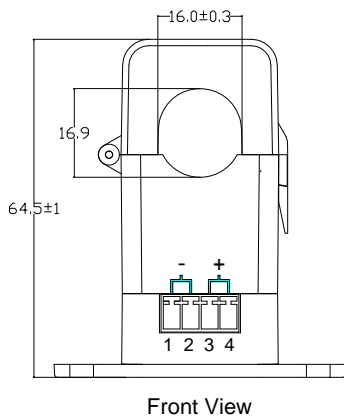
The ECS16-TT Series are split-core current transducers. The CT can be mounted to existing panels, such as control centers or load centers, to measure or monitor wattage. These CTs can be mounted without removing existing cables for easier installation



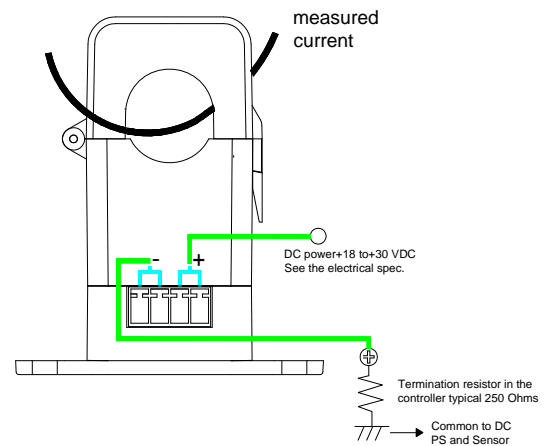
## STANDARD PART NUMBERS

MODEL	INPUT CURRENT	AVAILABLE OUTPUT
ECS16-20TT	20 A	POWER SUPPLY@18~30V CURRENT OUTPUTS @4~20mA
ECS16-30TT	30 A	
ECS16-50TT	50 A	
ECS16-100TT	100 A	
ECS16-120TT	120 A	
ECS16-150TT	150 A	

## DIMENSIONS( MM )



## CONNECTION DIAGRAM



## APPLICATION

- Current Measurement
- Electrical load monitoring
- Energy and sub-metering products
- Network equipment
- Instruments and sensors
- Control systems
- Go GREEN initiatives

## SPECIFICATIONS

- Standard Input Current 0-150A
- Frequency 50Hz — 400Hz
- Standard accuracy 1%
- Approximate weight 100g
- Output Signal: 4-20mA