

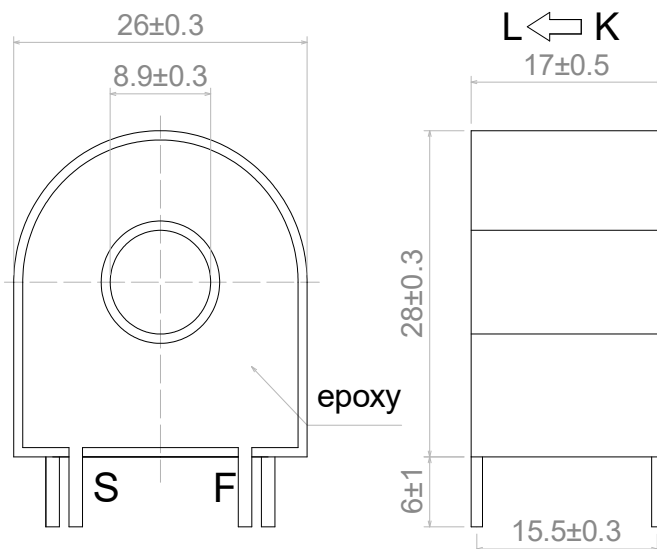
The ECU09 series are mini-precision current transformers. The CT is Small size, PCB mounting and low cost



Electrical Specifications

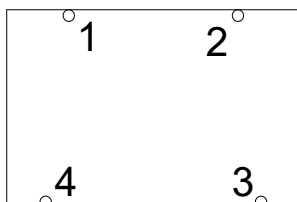
MODEL	INPUT CURRENT	AVAILABLE OUTPUT
ECU09-10	10 A	CURRENT OUTPUTS @ 5mA, 10mA, 15mA, 20mA, 30mA, 50mA
ECU09-20	20 A	
ECU09-50	50 A	
ECU09-80	80 A	
ECU09-100	100 A	

Mechanical Dimensions in mm



Front view

Side view



Bottom view

APPLICATIONS

- Energy and sub-metering products
- Electrical load monitoring
- Network equipment
- Instruments and sensors
- Control systems
- Go GREEN initiatives

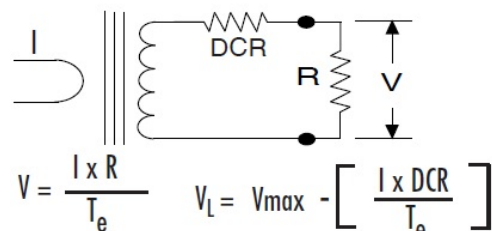
FEATURES

- 0.354" window opening (ID)
- Custom design Turns-Ratio available
- Rigid housing case with UL 94V-0 durable plastic
- PCB Mount
- Approximate weight 30g

SPECIFICATIONS

- Standard Input Current 0.01-100A
- Frequency 50Hz — 400Hz
- Standard accuracy 0.1,0.2,0.5
- Insulation Voltage 4000 Vac/1min
- Operating Temp. -40°C to +85°C
- Storage Temp. -45°C to +90 °C
- ANSI C57.13 and IEC60044-1 Standards

Connection Diagram



CAUTION

Before installation, safety precautions must be followed by licensed professional. Never energize primary unless short circuited terminals or burden connected to secondary.