

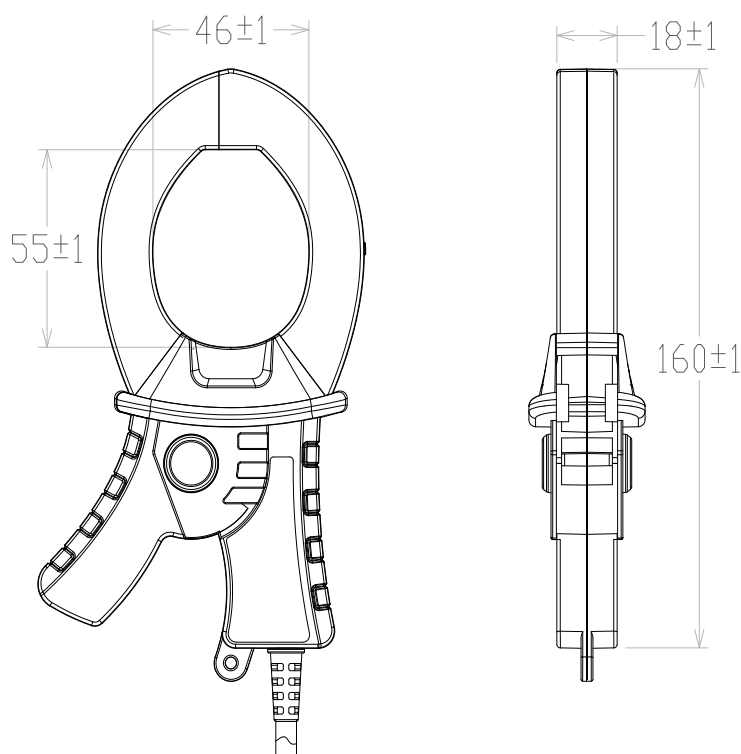
The ECS55-C series are clamp-on current transformers. The CT can be mounted to existing panels, such as control centers or load centers, to measure or monitor wattage. These CTs can be mounted without removing existing cables for easier installation.



Electrical Specifications

MODEL	INPUT CURRENT	AVAILABLE OUTPUT
ECS55100-C	100 A	CURRENT OUTPUTS @ 20mA, 40mA, 50mA, 100mA, 1A VOLTAGE OUTPUTS @ 0.25V, 0.33V, 0.5V, 1V, 2V
ECS55200-C	200 A	
ECS55300-C	300 A	
ECS55400-C	400 A	
ECS55500-C	500A	

Mechanical Dimensions in mm



APPLICATIONS

- Energy and sub-metering products
- Electrical load monitoring
- Network equipment
- Instruments and sensors
- Control systems
- Go GREEN initiatives

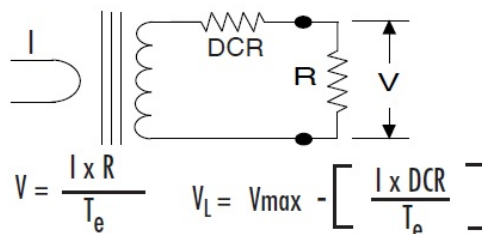
FEATURES

- 1.77*2.16" window opening (ID)
- Custom design Turns-Ratio available
- Rigid housing case with UL 94V-0 durable plastic
- M4 terminal output
- Approximate weight 300g

SPECIFICATIONS

- Standard Input Current 1-500A
- Frequency 50Hz — 400Hz
- Standard accuracy 0.5, 1
- Insulation Voltage 4000 Vac/1min
- Operating Temp. -40°C to +70°C
- Storage Temp. -45°C to +85 °C
- ANSI C57.13 and IEC60044-1 Standards

Connection Diagram



CAUTION

Before installation, safety precautions must be followed by licensed professional. Never energize primary unless short circuited terminals or burden connected to secondary.