

Clamp-on Flexible Rogowski coil ERC120/190/305-1 Series

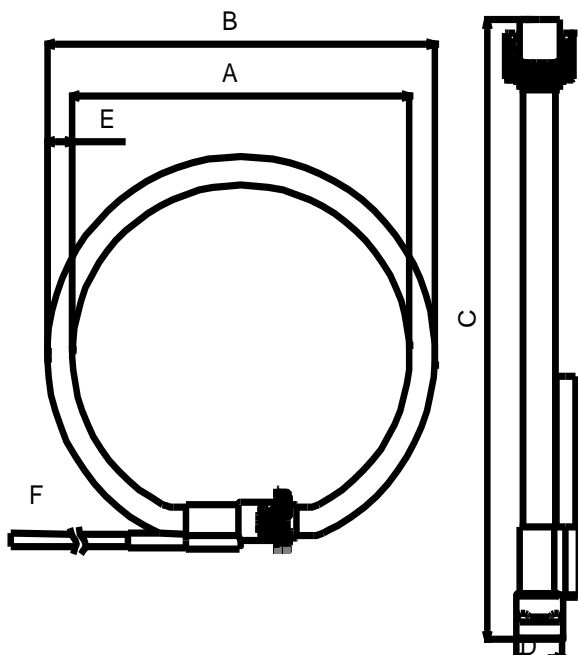
Clamp-on Flexible Rogowski coil Current Transformer has been designed for accurate measurement of wide AC current, pulsed DC or distorted waveforms. It may be used to measure AC current over a wide dynamic range and from 10Hz to 20kHz



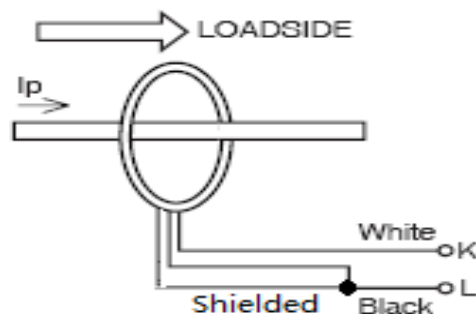
STANDARD PART NUMBERS

MODEL	ERC120-1	ERC190-1	ERC305-1
Current Range	1,000A	2,000A	3,000A
Output Voltage	120mV AC/1000A@50Hz 144mV AC/1000A@60Hz	240mV AC/2000A@50Hz 288mV AC/2000A@60Hz	342mV AC/3000A@50Hz 410.4mV AC/3000A@60Hz
Accuracy	< 3% (conductor in the center)		
Phase Shift	50/60Hz (typical < 0.5°)		
Frequency Range	10Hz to 20kHz		
Output Sensitivity Tolerance	±5% maximum(Uncalibrated)		
Output Sensitivity Tolerance	±0.5% of reading at 25°C(Calibrated)		
Linearity (10% to 100% of range)	±0.2% of reading		
Conductor Position Sensitivity	±2% maximum		
Influence of External Field	±2% maximum		
Operating Temperature Range	-40~75°C		
Storage Temperature Range	-45~85°C		
Pollution Degree	Pollution Degree 2		
Insulation Category	CATIV 600V		
Standard	Conforms to UL Std. 61010-1, 61010-2-032; Certified to CSA Std. C22.2 No. 61010-1, 61010-2-032		

DIMENSIONS(MM)



DIMENSIONS (mm)	ERC120-1	ERC190-1	ERC305-1
A Window Size	120	190	305
B Transformer Coil O.D.	145	205	335
C Transformer Length	420	640	1000
D Locking Connector O.D.	21		
E Transformer Coil Diameter	12		
F Wire Lead Total Length	1500(Available customizing)		





Do not apply around or remove from UNINSULATED HAZARDOUS LIVE conductors, which may render electric shock, electric burn, or arc flash

3F Building B No. 88 Shengye Rd North Tianmei, Huangjiang Town, Dongguan City, Guangdong Province, China

Applications

- Very high current monitoring
- DC ripple measurement
- Harmonics and transients monitoring
- Power monitoring & control systems
- Applicable in electronic Watt-hour meter
- No danger from open-circuited secondary

Features

- AC current probe utility by the Rogowski principle
- Flexible and lightweight
- Easy & quick installation in uninterruptible power line
- Available shielding type on request
- IP 65(Probe head only)
- High secondary output voltage & precise linearity error
- Isolated plastic case recognized according to UL94-V0