



Solid Core Energy Monitoring Current Transformer ECOL13 Series

The ECOL13 series are UL listing mini-precision current transformers. The CT is small size and low cost

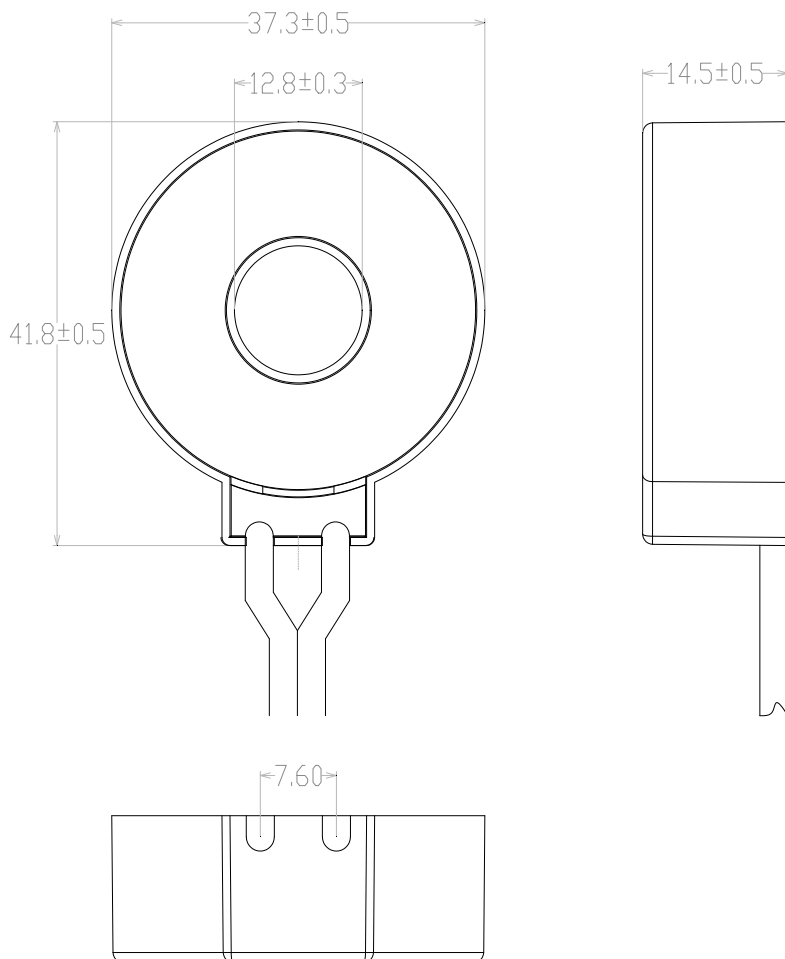


Electrical Specifications

MODEL	INPUT CURRENT	AVAILABLE OUTPUT
ECOL13-10	10 A	OUTPUTS @ 5mA, 10mA, 15mA, 20mA, 100mA, 0.333V, 0.5V, 1V, 2V (can be customized by customer)
ECOL13-30	30 A	
ECOL13-50	50 A	
ECOL13-80	80 A	
ECOL13-100	100 A	



Mechanical Dimensions in mm



APPLICATIONS

- Energy and sub-metering products
- Electrical load monitoring
- Network equipment
- Instruments and sensors
- Control systems
- Go GREEN initiatives

FEATURES

- 0.512" window opening (ID)
- Custom design Turns-Ratio available
- Rigid housing case with UL 94V-0 durable plastic
- PVC wire leads—16~18AWG
- UL Listing - UL 2808 / XOBA
- Measurement Category III Field Installable
- Up to 2000 meters, Pollution degree: 2
- Approximate weight 60g

SPECIFICATIONS

- Standard Input Current : 0.01-100A
- Frequency 50Hz — 400Hz
- Standard accuracy 0.1,0.2,0.5
- Insulation Voltage 3510 Vac/1min
- Operating Temp. -40°C to +70°C
- Storage Temp. -45°C to +85 °C
- ANSI C57.13 and IEC60044-1 Standards
- UL 2808 / XOBA and IEC61010-1 Standards

Connection Diagram

