

The ECSL06 Series are split-core current transformers. The CT can be mounted to existing panels, such as control centers or load centers, to measure or monitor wattage. These CTs can be mounted without removing existing cables for easier installation.

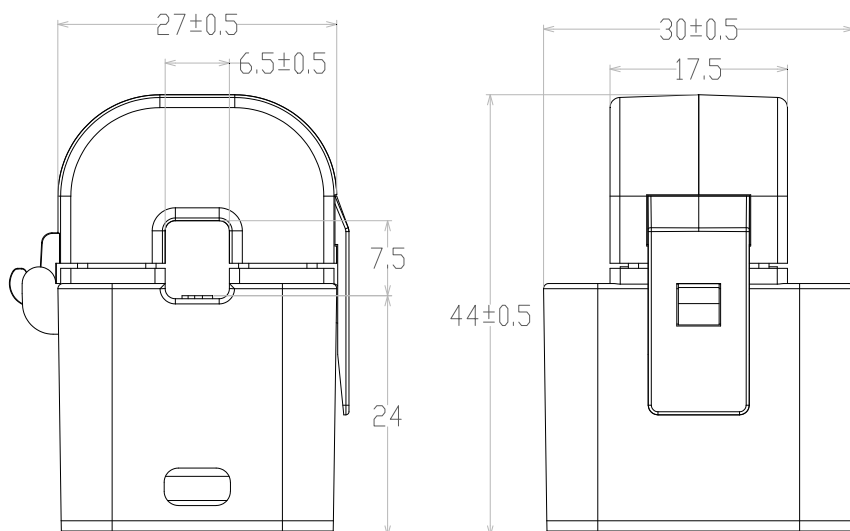


Electrical Specifications

MODEL	INPUT CURRENT	AVAILABLE OUTPUT
ECSL06-20	20 A	CURRENT OUTPUTS @ 20mA, 33.3mA, 40mA, 50mA, 100mA, 1A VOLTAGE OUTPUTS @ 0.25V, 0.33V, 0.5V, 1V, 2V (can be customized by customer)
ECSL06-30	30 A	
ECSL06-40	40 A	
ECSL06-50	50 A	
ECSL06-60	60 A	



Mechanical Dimensions in mm



APPLICATIONS

- Energy and sub-metering products
- Electrical load monitoring
- Network equipment
- Instruments and sensors
- Control systems
- Go GREEN initiatives

FEATURES

- 0.248" window opening (ID)
- Custom design Turns-Ratio available
- Rigid housing case with UL 94V-0 durable plastic
- PVC wire leads—18AWG
- Approximate weight 100g

SPECIFICATIONS

- Standard Input Current 0.1-60A
- Frequency 50Hz — 400Hz
- Standard accuracy 0.5, 1, 3
- Insulation Voltage 4000 Vac/1min
- Operating Temp. -40°C to +70°C
- Storage Temp. -45°C to +85 °C
- UL2808 and IEC61010-1 Standards

Connection Diagram

